



Mux/Demux Devices

DarkStar DMD-P Series

The DMD-P is XKL's DarkStar Mux/Demux product. As with the rest of the XKL product line, the DMD-P is based on XKL's DarkStar architecture, the foundation for addressing today's IT challenges and scalable growth.

The DMD-P is a passive device (i.e., not requiring power or cooling) that aggregates and provides monitoring capabilities for a mix of 1G through 400G technologies, resulting in greater control and scalability.

The DMD-P provides a variety of filter options including 48-channel or 96-channel Mux/Demux, or 4-band or 6-band filter, all of which allow for point-to-point or east/west configurations.

Offering the same optical filters as the DMD-A but without the DMD-A's amplification capabilities, the DMD-P device can serve as an integral part of an XKL network solution or can inter-operate with any optical networking equipment that utilize the standard ITU grid with 50GHz or 100GHz channel spacing.

The DMD-P requires only 1 rack unit (1U) of space. Easy to integrate and operate, there is no need for specialized optical engineers to ensure network optimization.

More about this product...

Device Architecture:

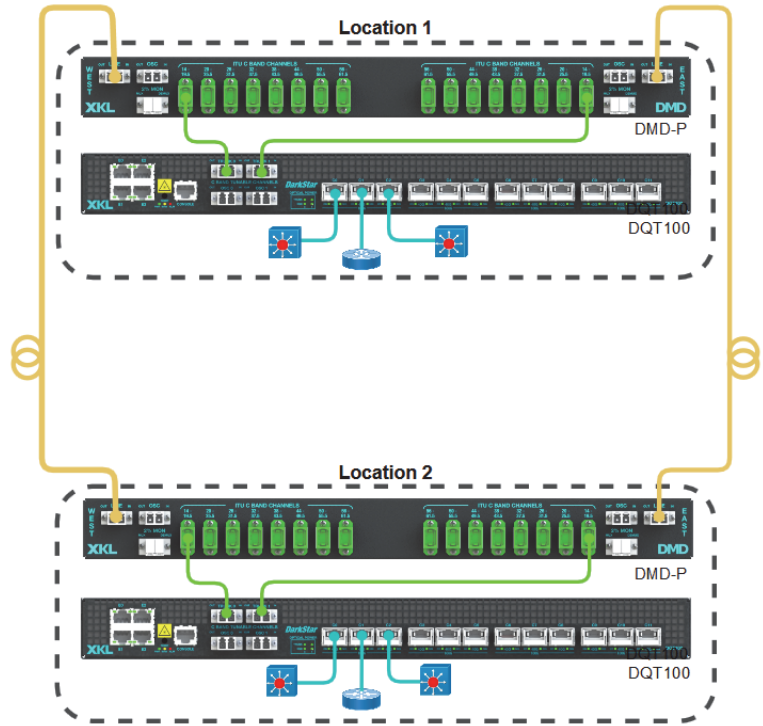
- Fully integrated optical components including DWDM Mux/Demux filters and channel monitoring.

Also see "Technical Specifications" on back.



Typical Use Case

Point-to-Point with Diverse Path



**Supported Topologies**

Point-to-Point, Ring, Linear, Mesh

Capacity**DMD-P (single)**

One 48 or 96 channel filter
One 4-band or 6-band filter

DMD-P (dual)

Two 48 or 96 channel filters
Two 4-band or 6-band filters

Supported Fiber Types

G.652, G.654, G.655 (others supported on demand)

Product Configurations

48 or 96 Channel filters; 4-Band or 6-Band filters

Optical Components/Characteristics

OSC passband: 1503.5nm-1516.5nm

Line monitoring port: 2% tap

96 channel filter:

ITU channels 14-61.5, 1566.31nm - 1528.38nm
50GHz channel spacing

48 channel filter:

ITU channels 14-61, 1566.31nm - 1528.77nm
100GHz channel spacing

4-band filter:

192.45 THz ± 463.75 GHz
193.45 THz ± 463.75 GHz
194.45 THz ± 463.75 GHz
195.45 THz ± 463.75 GHz

6-band filter:

191.45 THz ± 463.75 GHz
192.45 THz ± 463.75 GHz
193.45 THz ± 463.75 GHz
194.45 THz ± 463.75 GHz
195.45 THz ± 463.75 GHz
196.45 THz ± 463.75 GHz

Optical loss:

6.5dB - 96 channel Mux or Demux

5.0dB - 48 channel Mux or Demux

0.5dB - Optical Service Channel (OSC)

Power and Cooling

No power or cooling requirements (passive system)

Physical Dimensions

IEC 60297-3 Compliant

Height: 1U (1.75"/44.5mm)

Width/Depth:

16.9"/12.5"

429.3mm/317.5mm

Weight, minimum: 10lbs/4.5kg (fully configured)